

Attic ladders



Space saving staircases



Modular staircases



Spiral staircases



Main staircases



## ***BT2000*** ***with insulation***

Wooden attic ladder

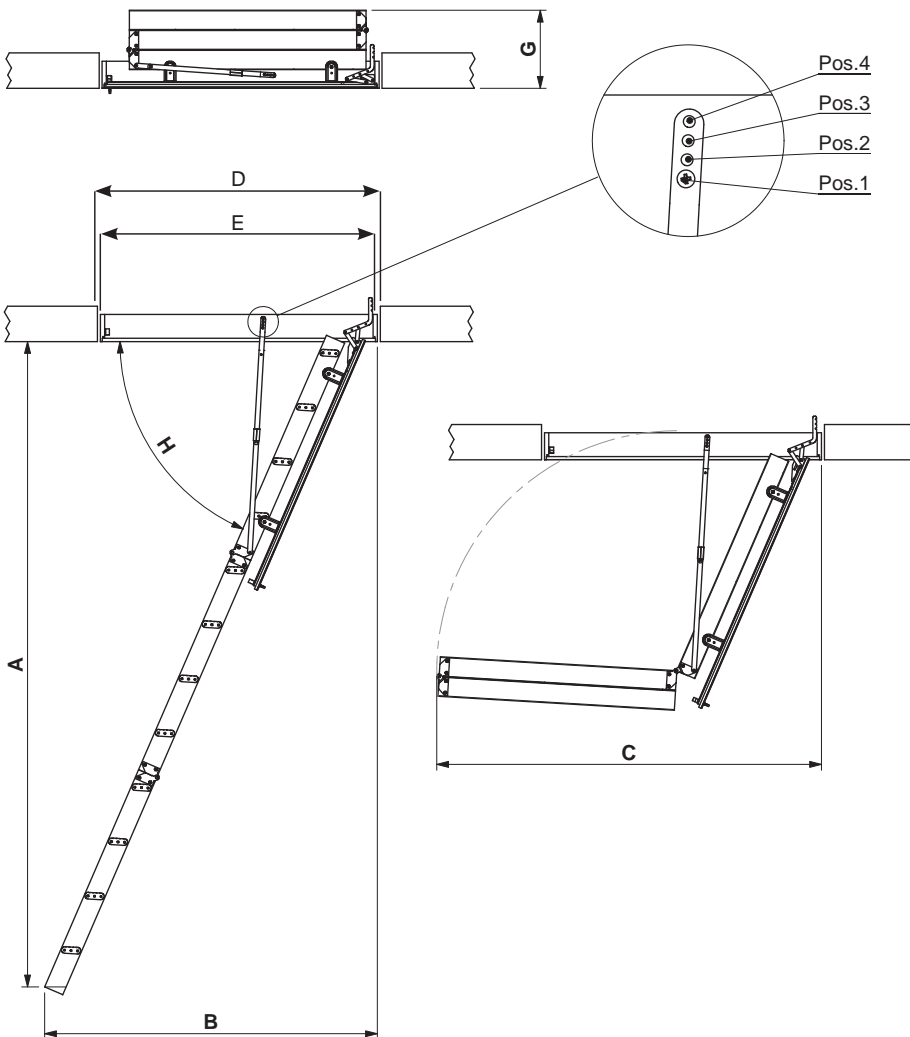
- 3 section folding attic ladder - requires no headroom or storage space in the loft.
- Ladder made of solid spruce.
- Nice finish with white-faced trapdoor.
- Rubber draught excluder contained in casing and trapdoor with 20-mm insulation prevents loss of heat and draught.
- 5 standard sizes.
- Floor-to-ceiling heights up to 285 cm. 12 treads as standard.
- Non-slip treads for extra security.
- Hidden trapdoor hinges make it easy to paint, varnish or clad the trapdoor.
- Casing and trapdoor with a rebate for extra tight closing.
- Easy operation – delivered with push/pull rod made of wood.
- Semi-assembled.
- Unique robustness: Tested according to EN 14975, test load 265 kg, - max working load 150 kg.

# BT2000

## Technical data (model no. 26300)

Model no.	Casing size (E)	Opening size (D)	Floor-to-ceiling height max. (A)	Casing height	Number of treads	Max. landing space (B)	Max. swing clearance (C)
26311	112,5 x 55,0	115 x 57	282 cm	11,5 cm	12	139 cm	161 cm
26326	117,5 x 57,6	120 x 60	285 cm	11,5 cm	12	141 cm	164 cm
26327	117,5 x 67,6	120 x 70	285 cm	11,5 cm	12	141 cm	164 cm
26337	127,5 x 67,6	130 x 70	285 cm	11,5 cm	12	141 cm	164 cm
26347	137,5 x 67,6	150 x 70	285 cm	11,5 cm	12	141 cm	164 cm

G: 326 mm  
H: 66° - 72°



### Casing

Material: Massive spruce  
Thickness: 18 mm  
Height: 115 mm

The lower edge of the casing is rebated and has a draught excluder, which ensures tight closing.

### Trapdoor

Material: 20 mm spruce frame, 20 mm insulation and brown/white masonite/HDF plate.

Thickness: 26 mm

Insulation: 20 mm polystyrene

Insulation coefficient: 1,33 W/m<sup>2</sup> °C in insulated area calculated according to EN 14975

### Ladder

Material: spruce

Width: 400 mm

Distance between treads: 250 mm

### Tread dimensions

Thickness: 28 mm

Depth: 82 mm

### String dimensions

Thickness: 28 mm

Depth: 84 mm

All treads have a non-slip surface and treads and strings are assembled as follows:

### Accessories

- Guardrail
- Metal handrail
- Plastic feet