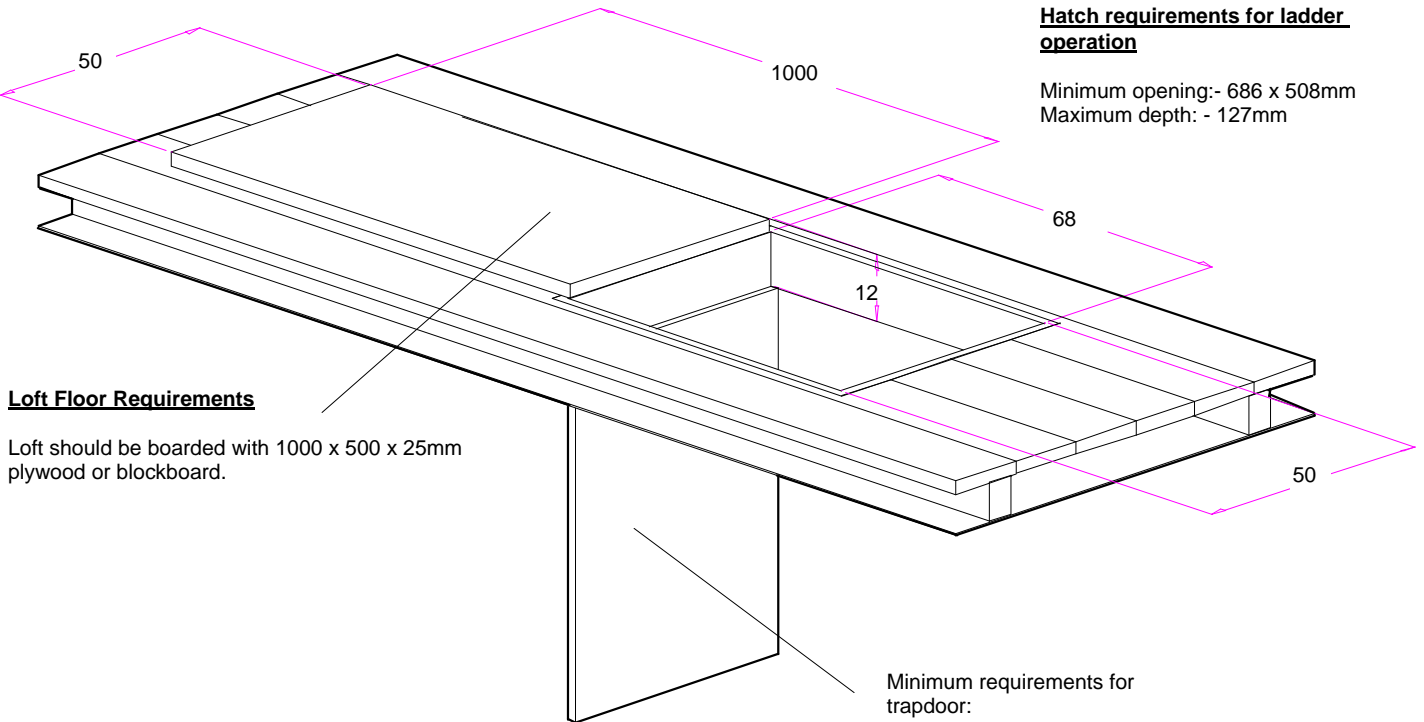


**Deluxe Stairway Loft Ladder**

**Hatch requirements for ladder operation**

Minimum opening:- 686 x 508mm  
Maximum depth: - 127mm



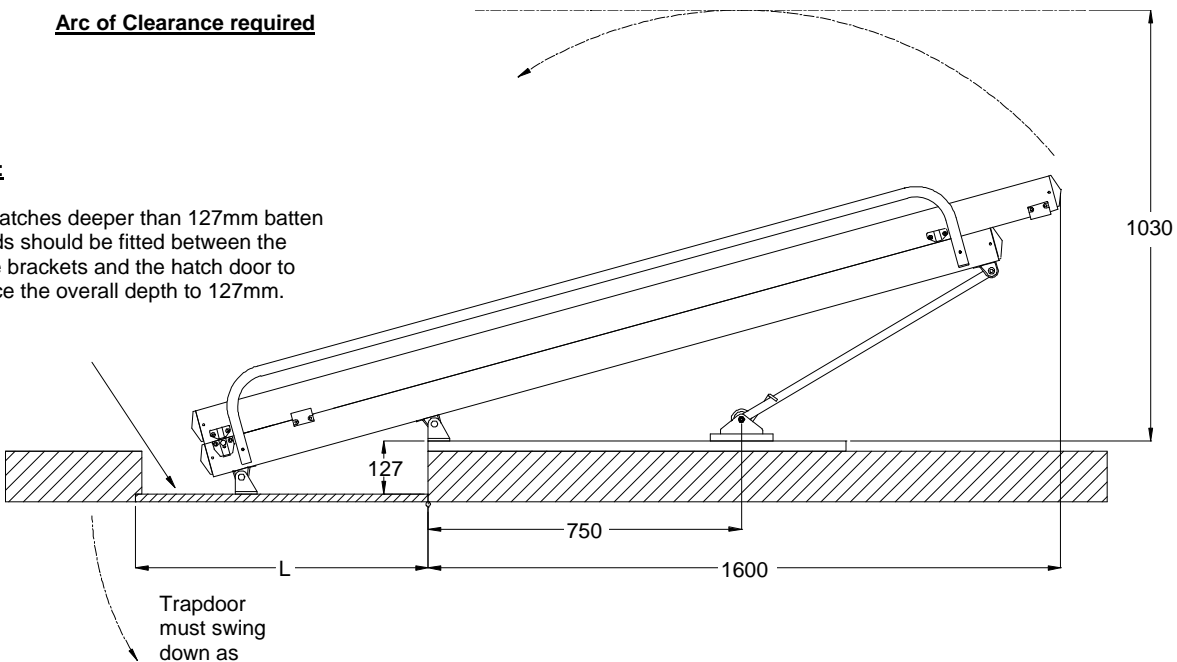
**Loft Floor Requirements**

Loft should be boarded with 1000 x 500 x 25mm plywood or blockboard.

**Arc of Clearance required**

**Note:**

For hatches deeper than 127mm batten boards should be fitted between the hinge brackets and the hatch door to reduce the overall depth to 127mm.



**Note:**

Heavy trapdoors will cause the hatch to remain open.

An approximate rule for finding maximum door weight in kg for given length is :

$$\text{Max. Weight (kg)} = 4220/L \text{ when } L \text{ is in mm.}$$